

GW-CBE1

K1/K3-A1-200



MOTION
DETECTION



WARRANTY



DIMABLE

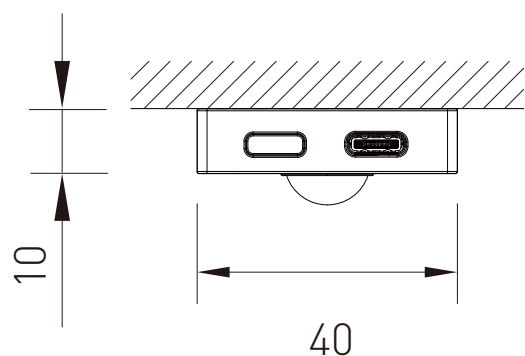
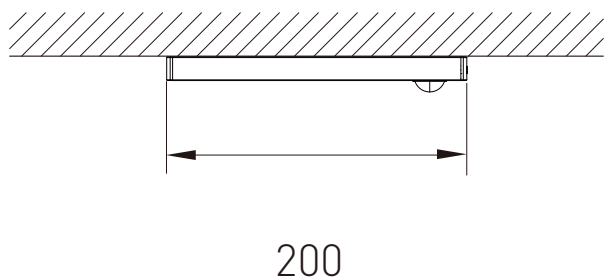


DAY/NIGHT
LIGHT

Product Features

- **LED Technology**—Tunable white Warm White&Natural White&Cold White light, or only one of them is viable too.
- **Two Sensing Modes**—Sensing time is separated by daytime and nighttime for different needs.
- **PIR Sensor**—In Sensing mode, human body motion sensor works when brightness is lower than 6 lux.
- **Stepless Dimming**—10-100% stepless dimming.

Unit: mm



Specification

Model	GW-CBE1-K1-A1 GW-CBE1-K3-A1	Luminous Flux	60lm	LED QTY	34 PCS SMD LED 68 PCS SMD LED
Product Dimension	200*40*10mm	Charging	5V DC 1A	Color Temp	3000K/4000K/6500K CCT3000K-4000K-6500K
Material	ABS+PS+Aluminium	RA	>80	Power	1w
Color	Silver/Sky grey	IP	20	PIR sensing distance	3-6m
Battery	3.7V 1000mAh	Lifespan	20000H		

GW-CBE1

K1/K3-A1-300



MOTION
DETECTION



WARRANTY



DIMABLE

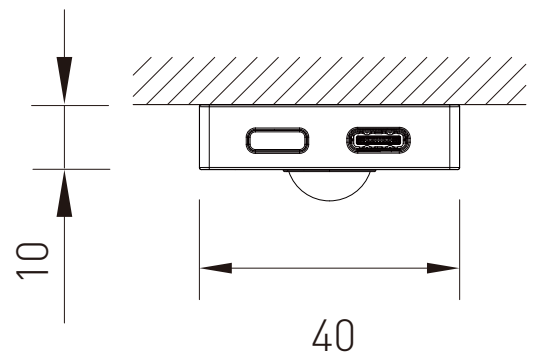
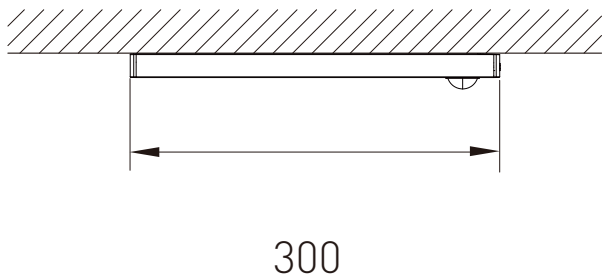


DAY/NIGHT
LIGHT

Product Features

- **LED Technology**—Tunable white Warm White&Natural White&Cold White light, or only one of them is viable too.
- **Two Sensing Modes**—Sensing time is separated by daytime and nighttime for different needs.
- **PIR Sensor**—In Sensing mode, human body motion sensor works when brightness is lower than 6 lux.
- **Stepless Dimming**—10-100% stepless dimming.

Unit: mm



Specification

Model	GW-CBE1-K1-A1 GW-CBE1-K3-A1	Luminous Flux	120lm	LED QTY	44 PCS SMD LED 88 PCS SMD LED
Product Dimension	300*40*10mm	Charging	5V DC 1A	Color Temp	3000K/4000K/6500K CCT3000K-4000K-6500K
Material	ABS+PS+Aluminium	RA	>80	Power	2w
Color	Silver/Sky grey	IP	20	PIR sensing distance	3-6m
Battery	3.7V 2200mAh	Lifespan	20000H		

GW-CBE1

K1/K3-A1-400



MOTION
DETECTION



WARRANTY



DIMABLE

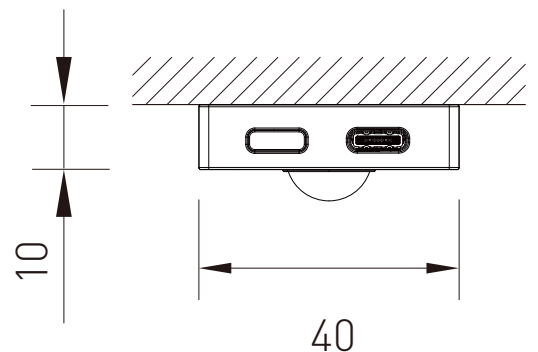
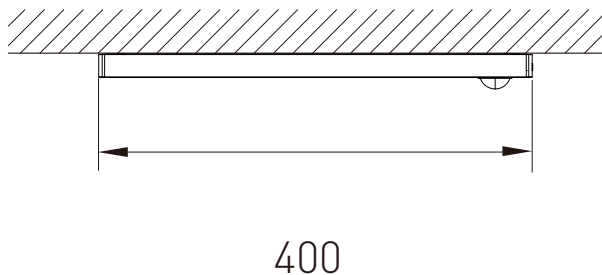


DAY/NIGHT
LIGHT

Product Features

- **LED Technology**—Tunable white Warm White&Natural White&Cold White light, or only one of them is viable too.
- **Two Sensing Modes**—Sensing time is separated by daytime and nighttime for different needs.
- **PIR Sensor**—In Sensing mode, human body motion sensor works when brightness is lower than 6 lux.
- **Stepless Dimming**—10-100% stepless dimming.

Unit: mm



Specification

Model	GW-CBE1-K1-A1 GW-CBE1-K3-A1	Luminous Flux	150lm	LED QTY	64 PCS SMD LED 128 PCS SMD LED
Product Dimension	400*40*10mm	Charging	5V DC 1A	Color Temp	3000K/4000K/6500K CCT3000K-4000K-6500K
Material	ABS+PS+Aluminium	RA	>80	Power	2.5w
Color	Silver/Sky grey	IP	20	PIR sensing distance	3-6m
Battery	3.7V 3000mAh	Lifespan	20000H		

GW-CBE1

K1/K3-A1-500



MOTION
DETECTION



WARRANTY



DIMABLE

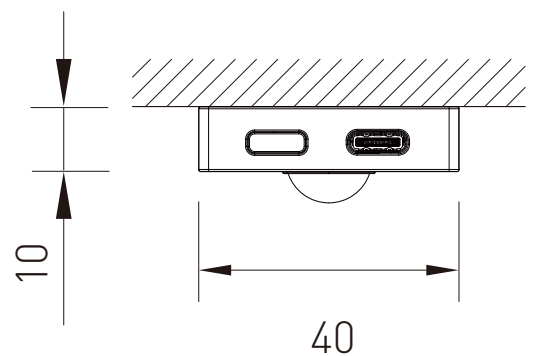
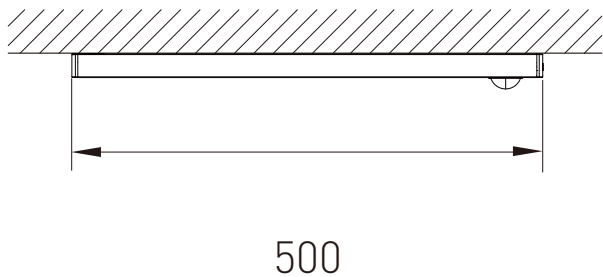


DAY/NIGHT
LIGHT

Product Features

- **LED Technology**—Tunable white Warm White&Natural White&Cold White light, or only one of them is viable too.
- **Two Sensing Modes**—Sensing time is separated by daytime and nighttime for different needs.
- **PIR Sensor**—In Sensing mode, human body motion sensor works when brightness is lower than 6 lux.
- **Stepless Dimming**—10-100% stepless dimming.

Unit: mm



Specification

Model	GW-CBE1-K1-A1 GW-CBE1-K3-A1	Luminous Flux	180lm	LED QTY	84 PCS SMD LED 168 PCS SMD LED
Product Dimension	500*40*10mm	Charging	5V DC 1A	Color Temp	3000K/4000K/6500K CCT3000K-4000K-6500K
Material	ABS+PS+Aluminium	RA	>80	Power	3w
Color	Silver/Sky grey	IP	20	PIR sensing distance	3-6m
Battery	3.7V 3000mAh	Lifespan	20000H		

GW-CBE1

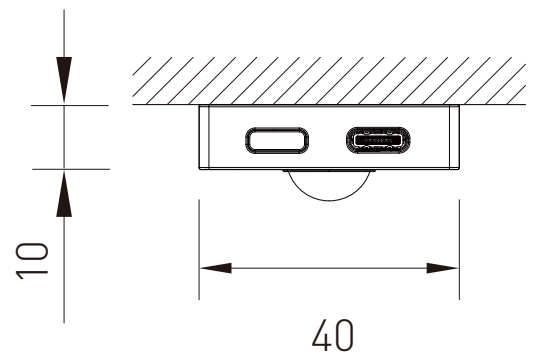
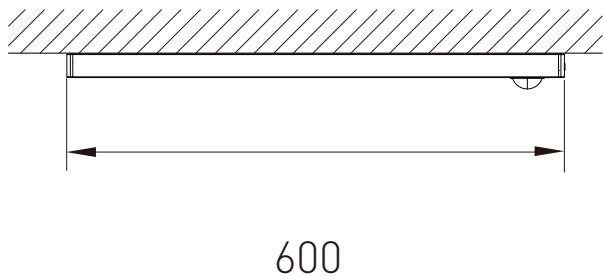
K1/K3-A1-600



Product Features

- **LED Technology**—Tunable white Warm White&Natural White&Cold White light, or only one of them is viable too.
- **Two Sensing Modes**—Sensing time is separated by daytime and nighttime for different needs.
- **PIR Sensor**—In Sensing mode, human body motion sensor works when brightness is lower than 6 lux.
- **Stepless Dimming**—10-100% stepless dimming.

Unit: mm



Specification

Model	GW-CBE1-K1-A1 GW-CBE1-K3-A1	Luminous Flux	240lm	LED QTY	104 PCS SMD LED 208 PCS SMD LED
Product Dimension	600*40*10mm	Charging	5V DC 1A	Color Temp	3000K/4000K/6500K CCT3000K-4000K-6500K
Material	ABS+PS+Aluminium	RA	>80	Power	4w
Color	Silver/Sky grey	IP	20	PIR sensing distance	3-6m
Battery	3.7V 4400mAh	Lifespan	20000H		